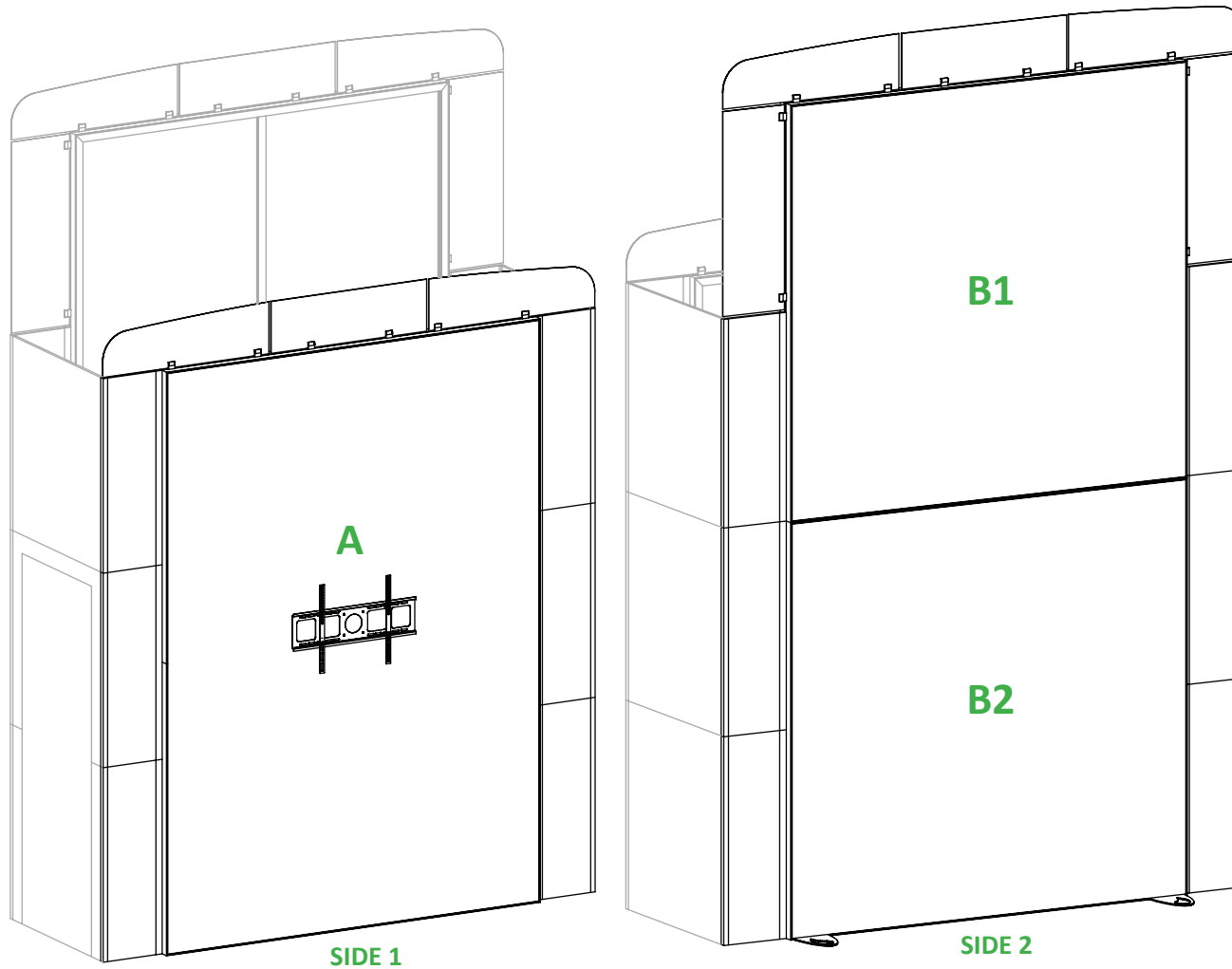


ECO-4053

PLEASE USE PDF FOR REFERENCE ONLY.

Contact your distributor for final graphic templates per order.



GRAPHIC SPECS

GRAPHIC A	QTY. 1
MATERIAL:	BACKLIT SEG FABRIC *
TREATMENT:	SILICONE EDGE GRAPHIC
APPROX. SIZE:	88.84"w x 125.84"h
GRAPHIC B1	QTY. 1
MATERIAL:	SEG FABRIC GRAPHIC *
TREATMENT:	SILICONE EDGE GRAPHIC
APPROX. SIZE:	88.84"w x 83.84"h
GRAPHIC B2	QTY. 1
MATERIAL:	SEG FABRIC GRAPHIC *
TREATMENT:	SILICONE EDGE GRAPHIC
APPROX. SIZE:	88.84"w x 83.84"h

* Recycled fabric options available

Recycled Fabric Graphics

Made from 100% recycled soda bottles, Paradise Fabric is a high quality 100% recycled content fabric, made in America. Recycled fabric options will vary depending on graphic application.

ECO-Glass

ECO-Glass is a "green" alternative to standard acrylic or plexiglass and is made from 100% post-industrial recycled content. ECO-Glass can be used for infills, accents and direct print graphic substrate. ECO-Glass can be clear or frosted.

ECO-Board

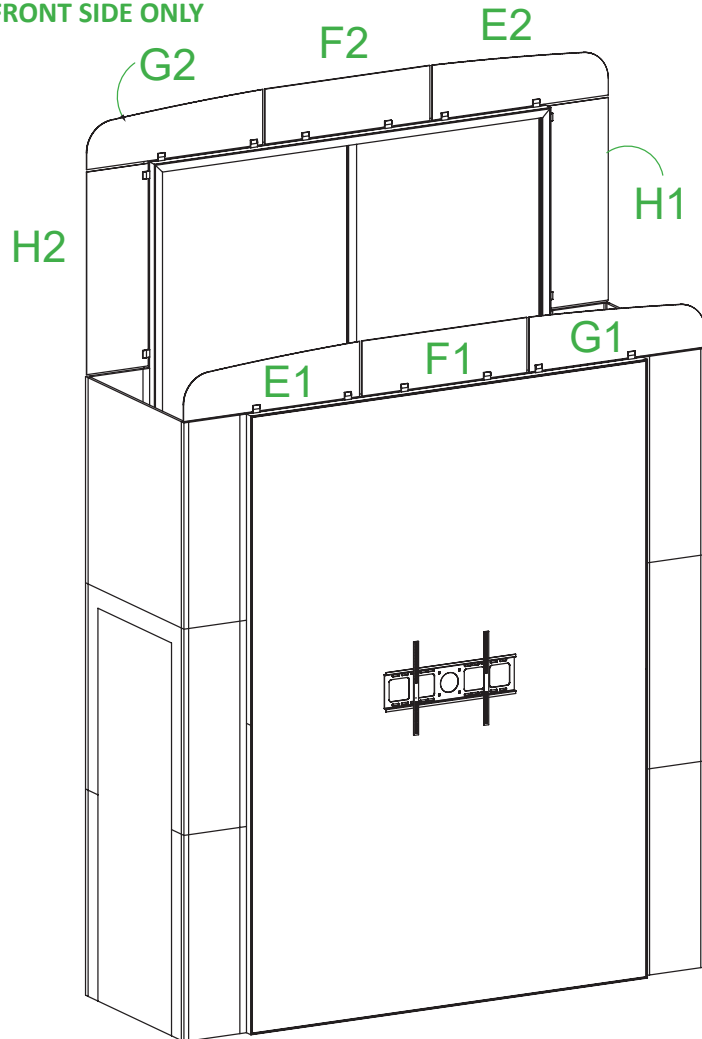
ECO-Board is a white printable and completely biodegradable polystyrene material. It offers a 2-sided printable surface which makes it an eco-friendly alternative to Sintra (made from PVC), and can biodegrade in a landfill in as little as 9 months. ECO-Board comes in 2 different thicknesses - 1/16" & 1/8."

ECO-4053

PLEASE USE PDF FOR REFERENCE ONLY.

Contact your distributor for final graphic templates per order.

PRINTED FRONT SIDE ONLY



GRAPHIC SPECS

GRAPHIC E	QTY. 2
MATERIAL:	1/8" ECO-BOARD
TREATMENT:	DIRECT PRINT GRAPHIC
APPROX. SIZE:	39.50"w x 11.20"h
GRAPHIC F	QTY. 2
MATERIAL:	1/8" ECO-BOARD
TREATMENT:	DIRECT PRINT GRAPHIC
APPROX. SIZE:	37.00"w x 11.20"h
GRAPHIC G	QTY. 2
MATERIAL:	1/8" ECO-BOARD
TREATMENT:	DIRECT PRINT GRAPHIC
APPROX. SIZE:	39.50"w x 11.20"h
GRAPHIC H	QTY. 2
MATERIAL:	1/8" ECO-BOARD
TREATMENT:	DIRECT PRINT GRAPHIC
APPROX. SIZE:	13.35"w x 41.50"h

Recycled Fabric Graphics

Made from 100% recycled soda bottles, Paradise Fabric is a high quality 100% recycled content fabric, made in America. Recycled fabric options will vary depending on graphic application.

ECO-Glass

ECO-Glass is a "green" alternative to standard acrylic or plexiglass and is made from 100% post-industrial recycled content. ECO-Glass can be used for infills, accents and direct print graphic substrate. ECO-Glass can be clear or frosted.

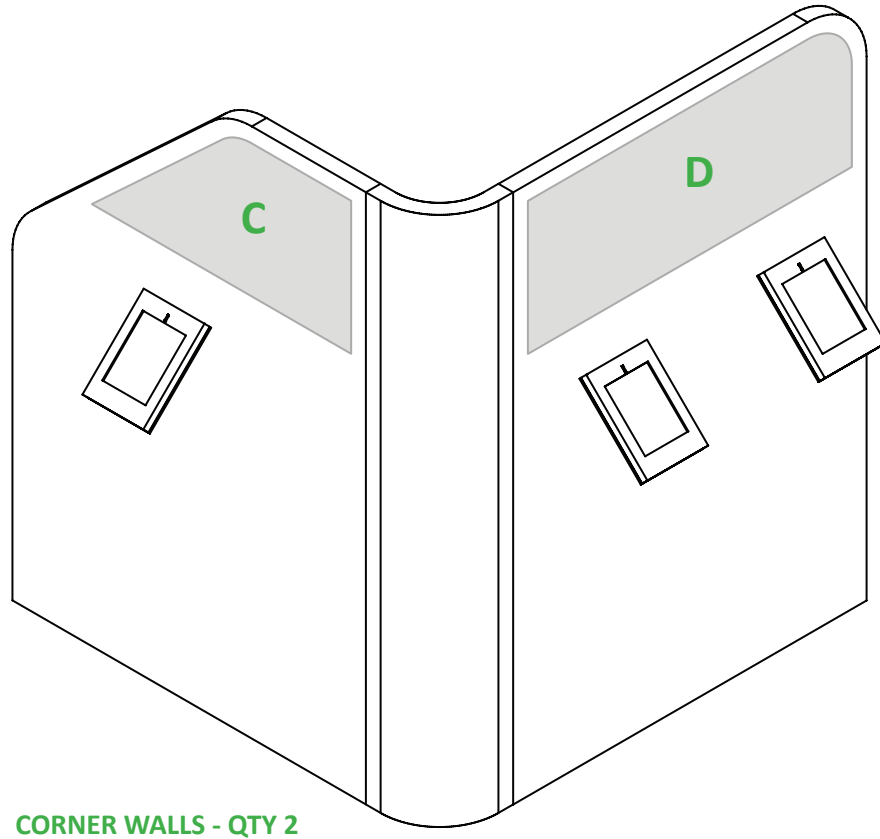
ECO-Board

ECO-Board is a white printable and completely biodegradable polystyrene material. It offers a 2-sided printable surface which makes it an eco-friendly alternative to Sintra (made from PVC), and can biodegrade in a landfill in as little as 9 months. ECO-Board comes in 2 different thicknesses - 1/16" & 1/8."

ECO-4053

PLEASE USE PDF FOR REFERENCE ONLY.

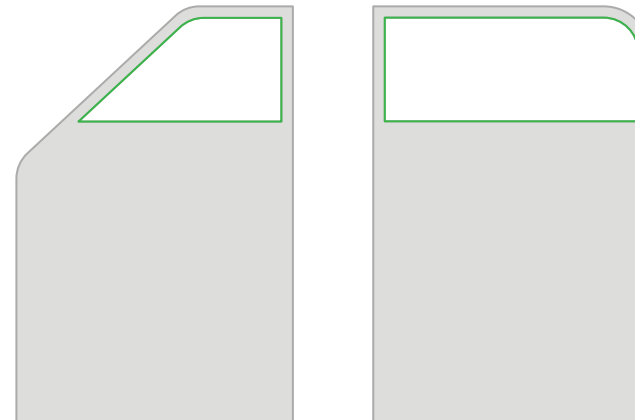
Contact your distributor for final graphic templates per order.



GRAPHIC SPECS

GRAPHIC C	QTY. 2
MATERIAL:	VINYL GRAPHIC
TREATMENT:	WEED & TAPE VINYL
APPROX. SIZE:	35.22"w x 18.00"h

GRAPHIC D	QTY. 2
MATERIAL:	VINYL GRAPHIC
TREATMENT:	WEED & TAPE VINYL
APPROX. SIZE:	44.00"w x 18.00"h



Recycled Fabric Graphics

Made from 100% recycled soda bottles, Paradise Fabric is a high quality 100% recycled content fabric, made in America. Recycled fabric options will vary depending on graphic application.

ECO-Glass

ECO-Glass is a "green" alternative to standard acrylic or plexiglass and is made from 100% post-industrial recycled content. ECO-Glass can be used for infills, accents and direct print graphic substrate. ECO-Glass can be clear or frosted.

ECO-Board

ECO-Board is a white printable and completely biodegradable polystyrene material. It offers a 2-sided printable surface which makes it an eco-friendly alternative to Sintra (made from PVC), and can biodegrade in a landfill in as little as 9 months. ECO-Board comes in 2 different thicknesses - 1/16" & 1/8."